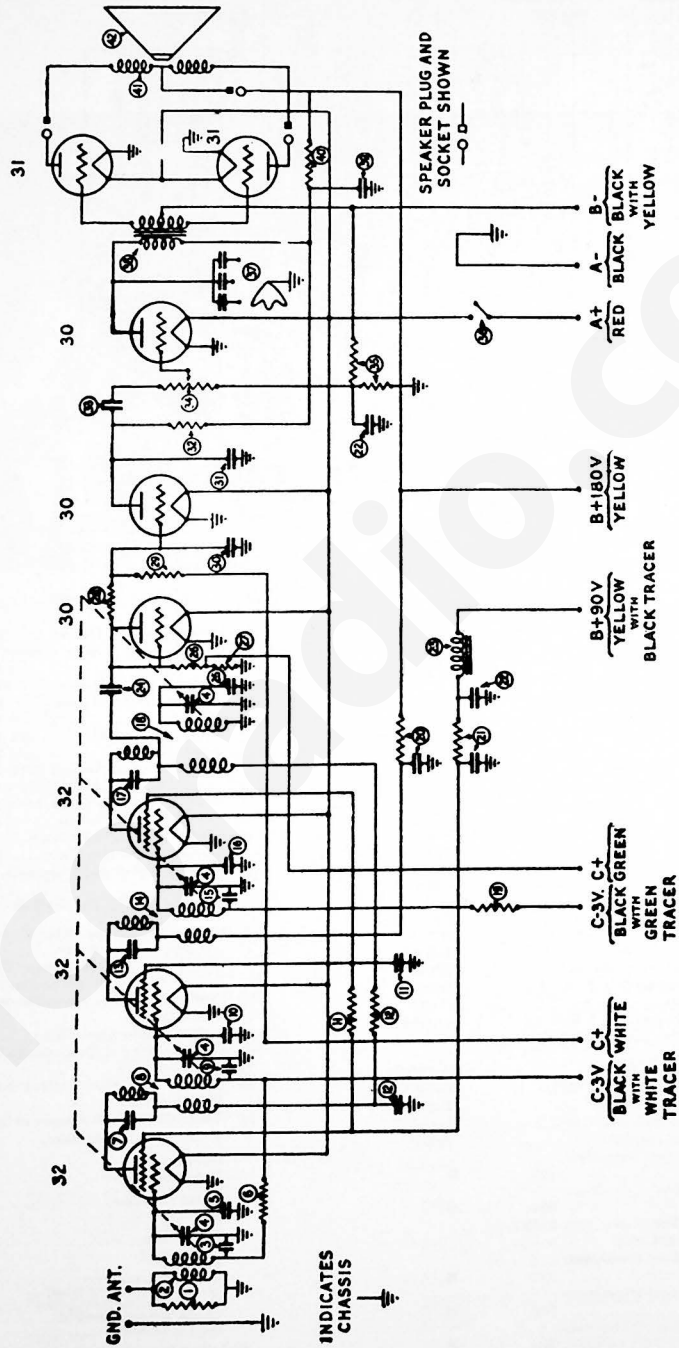
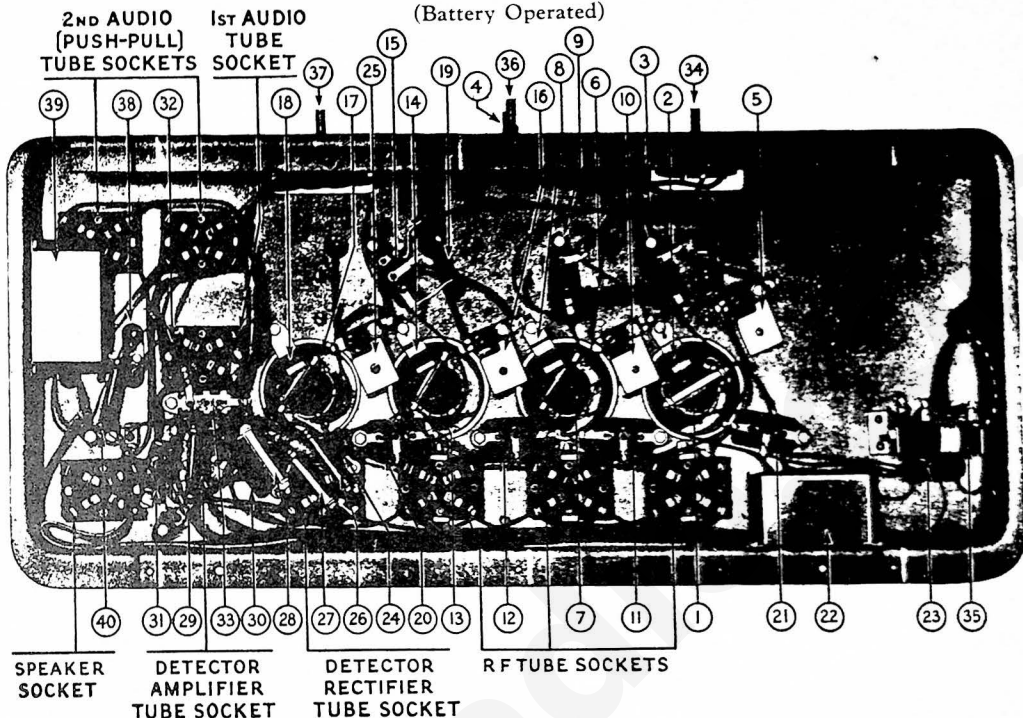


Model 30



MODEL 30
(Battery Operated)



REPLACEMENT PARTS LIST

No. on
Figs. 1 and 2

No. on Figs. 1 and 2	Description	Part No.
Ⓚ	Resistor (5000)	3526
Ⓛ	Antenna Coil	4182-A
Ⓜ	By-Pass Condenser (.05)	3615-E
Ⓝ	Tuning Condenser	4000-G
Ⓞ	Compensating Condenser	3968-A
Ⓟ	Resistor (70,000)	3542
Ⓠ	Coupling Condenser	3892-A
Ⓡ	Coil—2d R. F.	4182-B
Ⓢ	By-Pass (.05)	3615-E
Ⓣ	Compensating Condenser	3968-A
Ⓤ	By-Pass Condenser (.05) and Resistor	3615-B
Ⓥ	By-Pass Condenser (.05) and Resistor	3615-C
Ⓦ	Coupling Condenser	3892-A
Ⓧ	Coil—3d R. F.	4182-B
Ⓨ	By-Pass Condenser (.05)	3615-F
Ⓩ	Compensating Condenser	3968-A
ⓐ	Coupling Condenser	3892-A
ⓑ	Coil—4th R. F.	4182-B
ⓓ	Resistor (500,000)	3769
ⓔ	By-Pass Condenser (.05) and Resistor	3615-C
ⓕ	By-Pass Condenser (.05) and Resistor	3615-B
ⓖ	By-Pass Condenser (Double .25)	3557
ⓗ	Filter Choke	3518
Ⓢ	Condenser (.00005)	3774
Ⓣ	Compensating Condenser	3772-A
Ⓤ	Resistor (100,000)	3767

No. on
Figs. 1 and 2

No. on Figs. 1 and 2	Description	Part No.
Ⓡ	Resistor (100,000)	3767
Ⓢ	Resistor (250,000)	3768
Ⓣ	Resistor (500,000)	3769
Ⓤ	By-Pass Condenser (.000250)	3082
Ⓥ	By-Pass Condenser (.000250)	3082
Ⓦ	Resistor (500,000)	3769
Ⓧ	By-Pass Condenser (.01)	3903-F
Ⓨ	Volume Control	4093
Ⓩ	Resistor	3864
ⓐ	On-Off Switch	4095
ⓑ	Tone Control	4037-A
ⓓ	Audio Transformer	3242
ⓔ	By-Pass Condenser (Single .25)	4264
ⓕ	Resistor (25,000)	3656
ⓖ	Speaker Motor	2761
ⓗ	Cone Assembly	2764-A
Ⓢ	Speaker Cord and Plug	L-1127-A
Ⓣ	Knob (Large)	3580-A
Ⓤ	Knob (Small)	3579-A
Ⓥ	Spring (For 3579 and 3580)	3305
Ⓦ	Knob (Switch)	4146-A
Ⓧ	Spring (For 4146)	4147
Ⓨ	Tuning Scale	4139
Ⓩ	Grid Clip	4060-A
ⓐ	"A" Battery (2-volt) "Phileco Dynamic 92-R"	
ⓑ	Tube Socket (32 type tube) Assembly	3977-C
ⓓ	Tube Socket	3977-A
ⓔ	Speaker Socket	3977-B